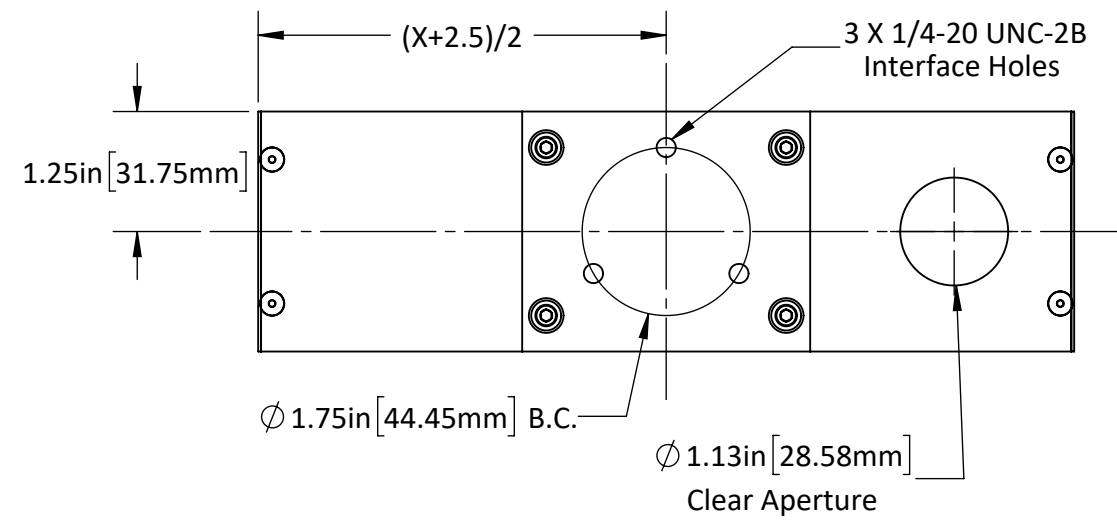
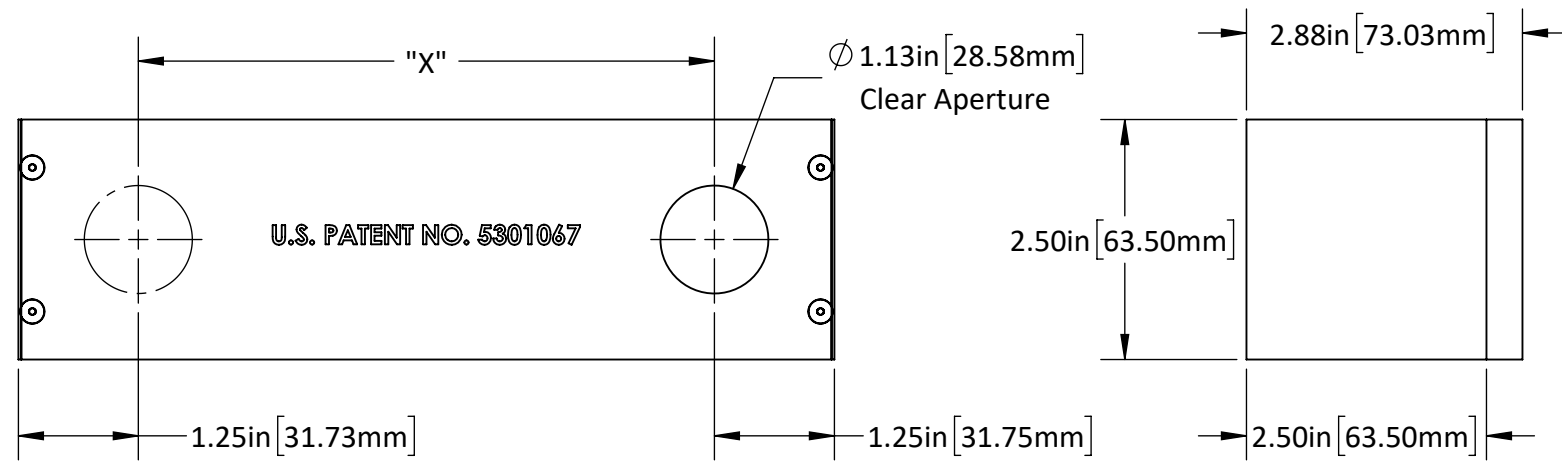


**NOTES:**

- For the  $\varnothing 1.00$ " Clear Aperture LTHP, the center to center "X" shall be from 3.50" to 26.00".



**PROPRIETARY NOTICE**

THIS DRAWING AND THE ITEMS DEPICTED HEREIN ARE THE PROPERTY OF PLX INC. THEY ARE FURNISHED FOR EVALUATION PURPOSES ONLY AND SHALL NOT BE DISCLOSED OR DUPLICATED OR USED FOR ANY COMMERCIAL PURPOSES WITHOUT THE EXPRESS WRITTEN CONSENT OF PLX INC.

<p><b>PLX</b> INNOVATIVE OPTICAL SYSTEMS</p>	<p><b>PLX</b> INNOVATIVE OPTICAL SYSTEMS</p>									
<p>UNLESS OTHERWISE SPECIFIED DIMENSIONS ARE IN INCHES TOLERANCES ARE:</p> <table border="1"> <thead> <tr> <th>FRACTIONS</th> <th>DECIMALS</th> <th>ANGLES</th> </tr> </thead> <tbody> <tr> <td><math>\pm 1/16</math>"</td> <td><math>\pm XX .030</math>"</td> <td><math>\pm 1'</math></td> </tr> <tr> <td></td> <td><math>\pm XXX .010</math>"</td> <td></td> </tr> </tbody> </table>	FRACTIONS	DECIMALS	ANGLES	$\pm 1/16$ "	$\pm XX .030$ "	$\pm 1'$		$\pm XXX .010$ "		<p><math>\varnothing 1.00</math>" Clear Aperture Lateral Transfer Hollow Perscope Assembly</p> <p>P-10</p>
FRACTIONS	DECIMALS	ANGLES								
$\pm 1/16$ "	$\pm XX .030$ "	$\pm 1'$								
	$\pm XXX .010$ "									