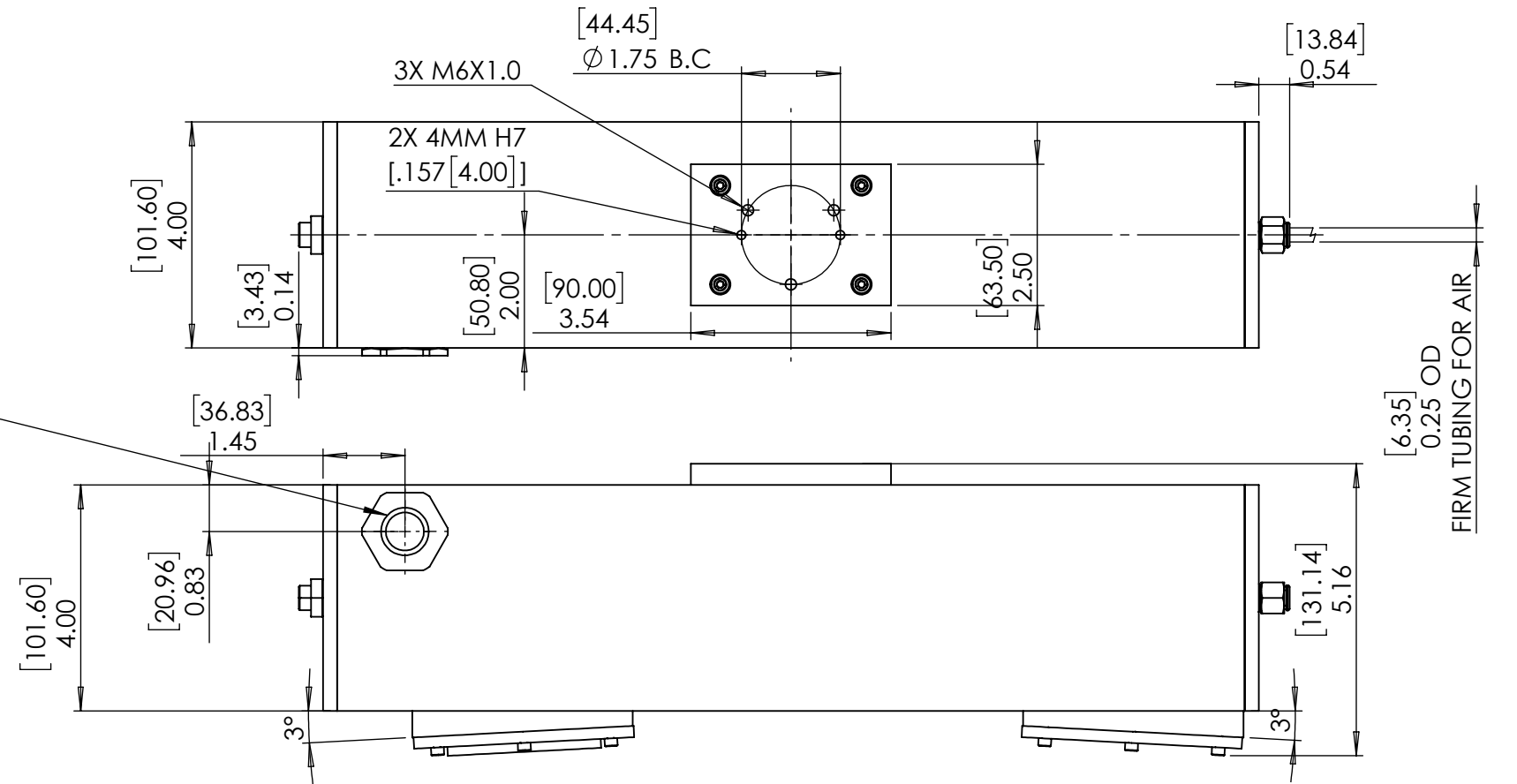


NOTES:

- FOR THE Ø2.0" CLEAR APERTURE, THE CENTER TO CENTER "X" SHALL BE FROM 4.50" TO 26.00".

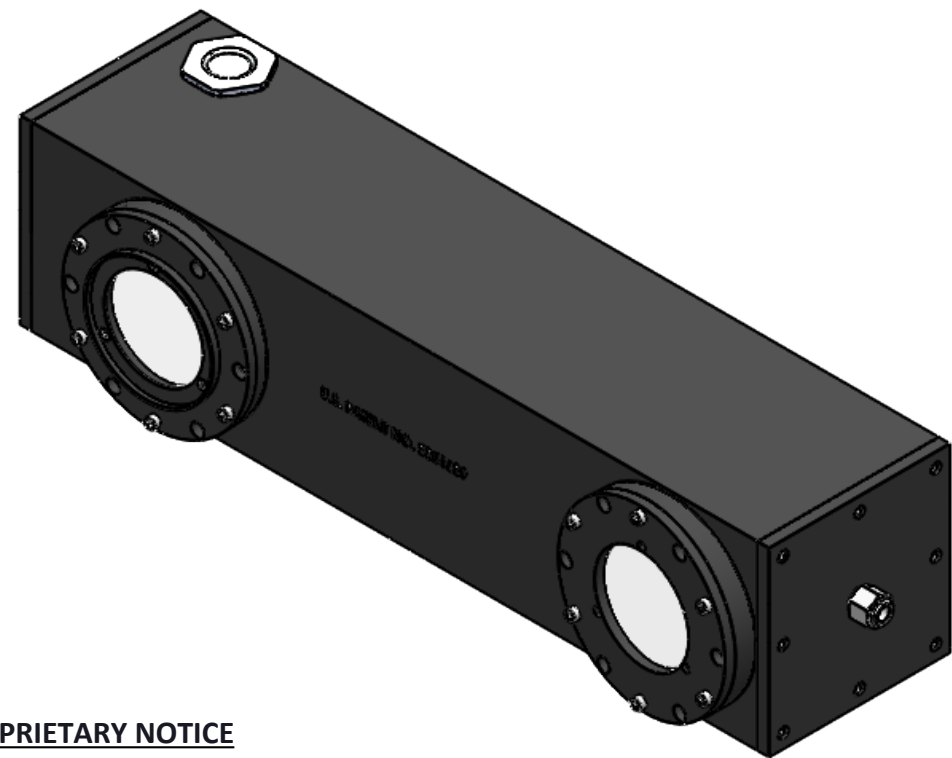
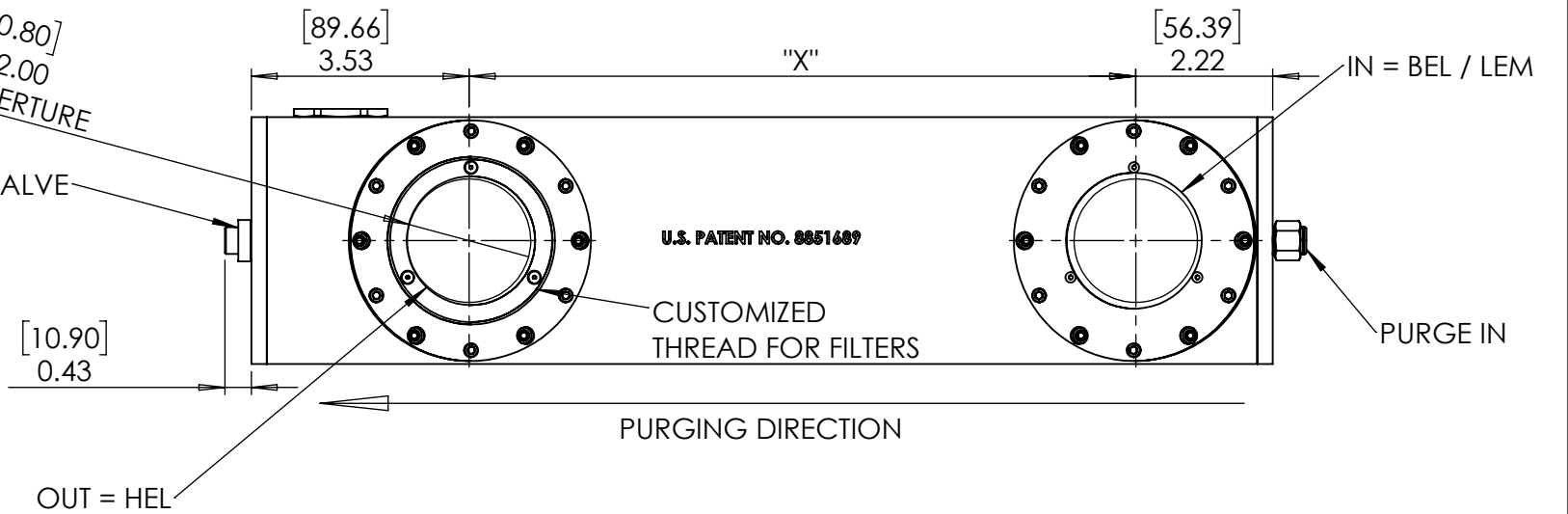
HUMIDITY INDICATOR VIEWING WINDOW



FIRM TUBING FOR AIR
[6.35] 0.25 OD

[50.80] 2X Ø2.00 CLEAR APERTURE

PURGE RELIEF VALVE



PROPRIETARY NOTICE

THIS DRAWING AND THE ITEMS DEPICTED HEREIN ARE THE PROPERTY OF PLX INC. THEY ARE FURNISHED FOR EVALUATION PURPOSES ONLY AND SHALL NOT BE DISCLOSED OR DUPLICATED OR USED FOR ANY COMMERCIAL PURPOSES WITHOUT THE EXPRESS WRITTEN CONSENT OF PLX INC.

	<p>INNOVATIVE OPTICAL SYSTEMS</p>
<p>UNLESS OTHERWISE SPECIFIED DIMENSIONS ARE IN INCHES TOLERANCES ARE:</p> <p>FRACTIONS DECIMALS ANGLES $\pm 1/16"$ $\pm .XX$ 0.030" $\pm 1'$ $\pm .XXX$ 0.010"</p>	<p>Ø2.0" CLEAR APERTURE ALL-WEATHER LATERAL TRANSFER HOLLOW RETROREFLECTOR</p> <p>L-20-AW</p>