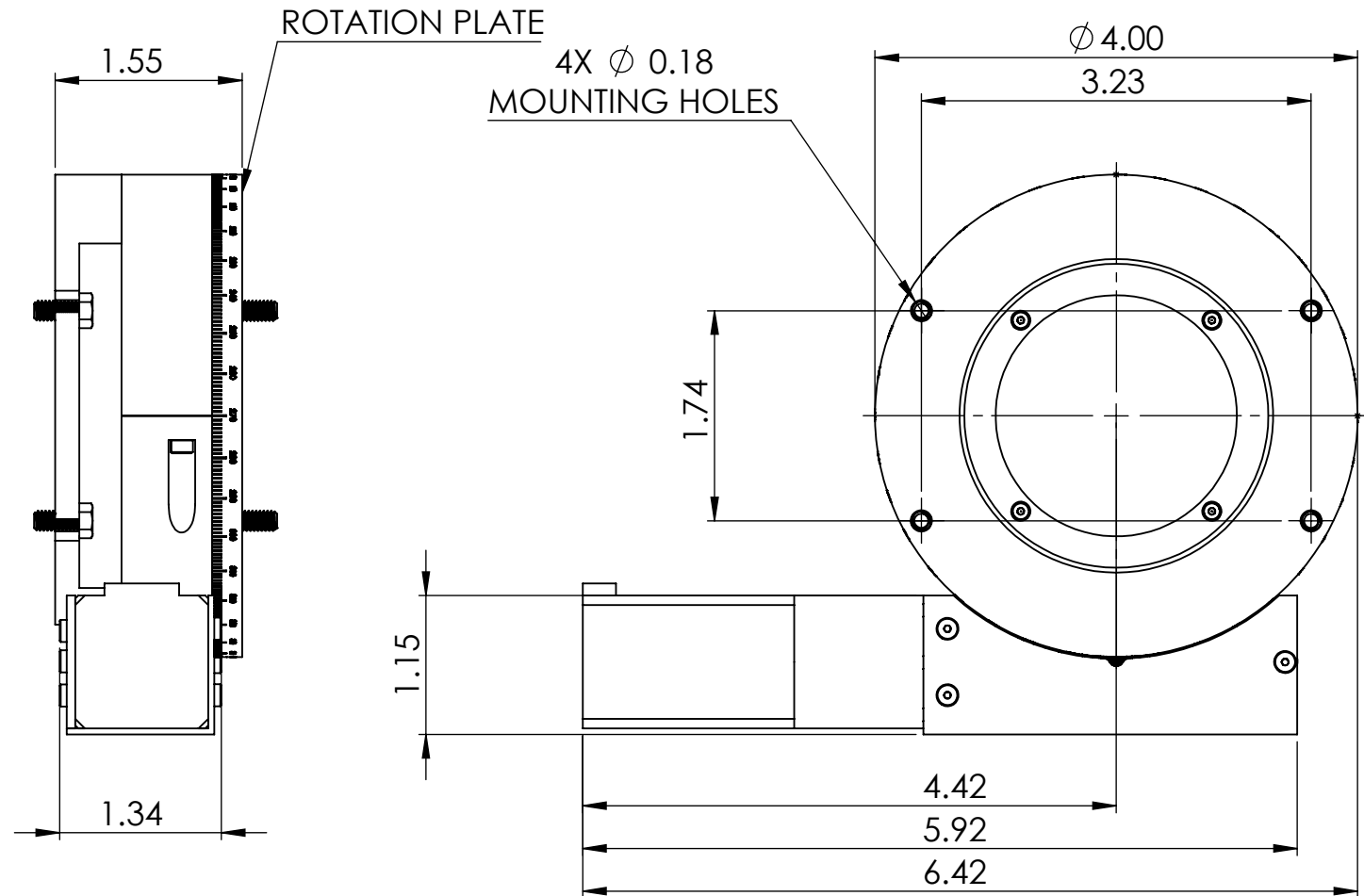
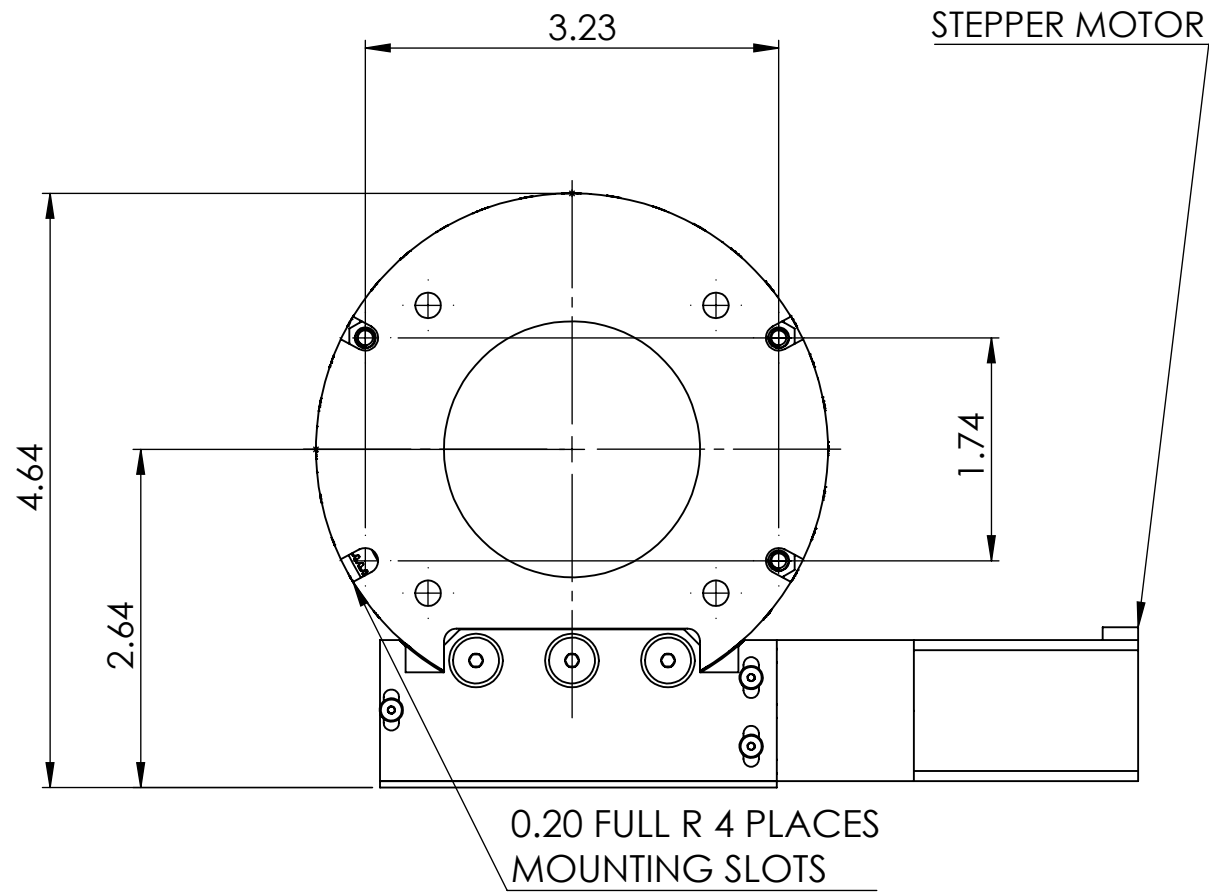


NOTES:

1. THE UNIT EQUIPPED WITH ROLLER BEARING FOR HEAVY LOAD
2. THE UNIT IS DRIVEN BY A 5V STEPPER MOTOR, WITH THE RESOLUTION OF 0.13mrad



RMDAM

PROPRIETARY NOTICE

THIS DRAWING AND THE ITEMS DEPICTED HEREIN ARE THE PROPERTY OF PLX INC. THEY ARE FURNISHED FOR EVALUATION PURPOSES ONLY AND SHALL NOT BE DISCLOSED OR DUPLICATED OR USED FOR ANY COMMERCIAL PURPOSES WITHOUT THE EXPRESS WRITTEN CONSENT OF PLX INC.

<p>UNLESS OTHERWISE SPECIFIED DIMENSIONS ARE IN INCHES TOLERANCES ARE:</p> <p>FRACTIONS DECIMALS ANGLES $\pm 1/16''$ $\pm .XX$ 0.030" $\pm 1'$ $\pm .XXX$ 0.010"</p>	<p>ROTARY MOVEMENT DEVICE A MOTORIZED</p> <p>RMDAM</p>