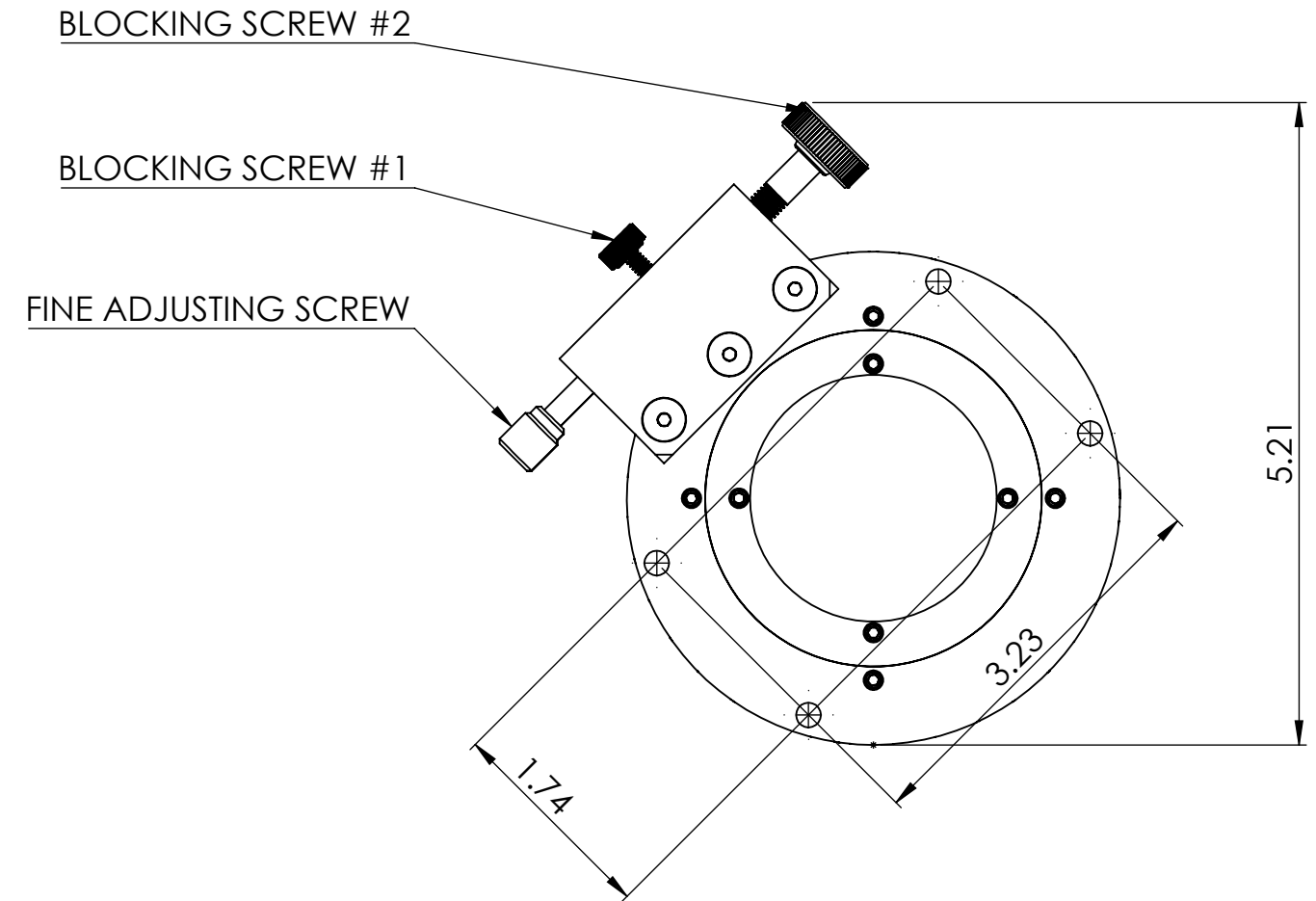
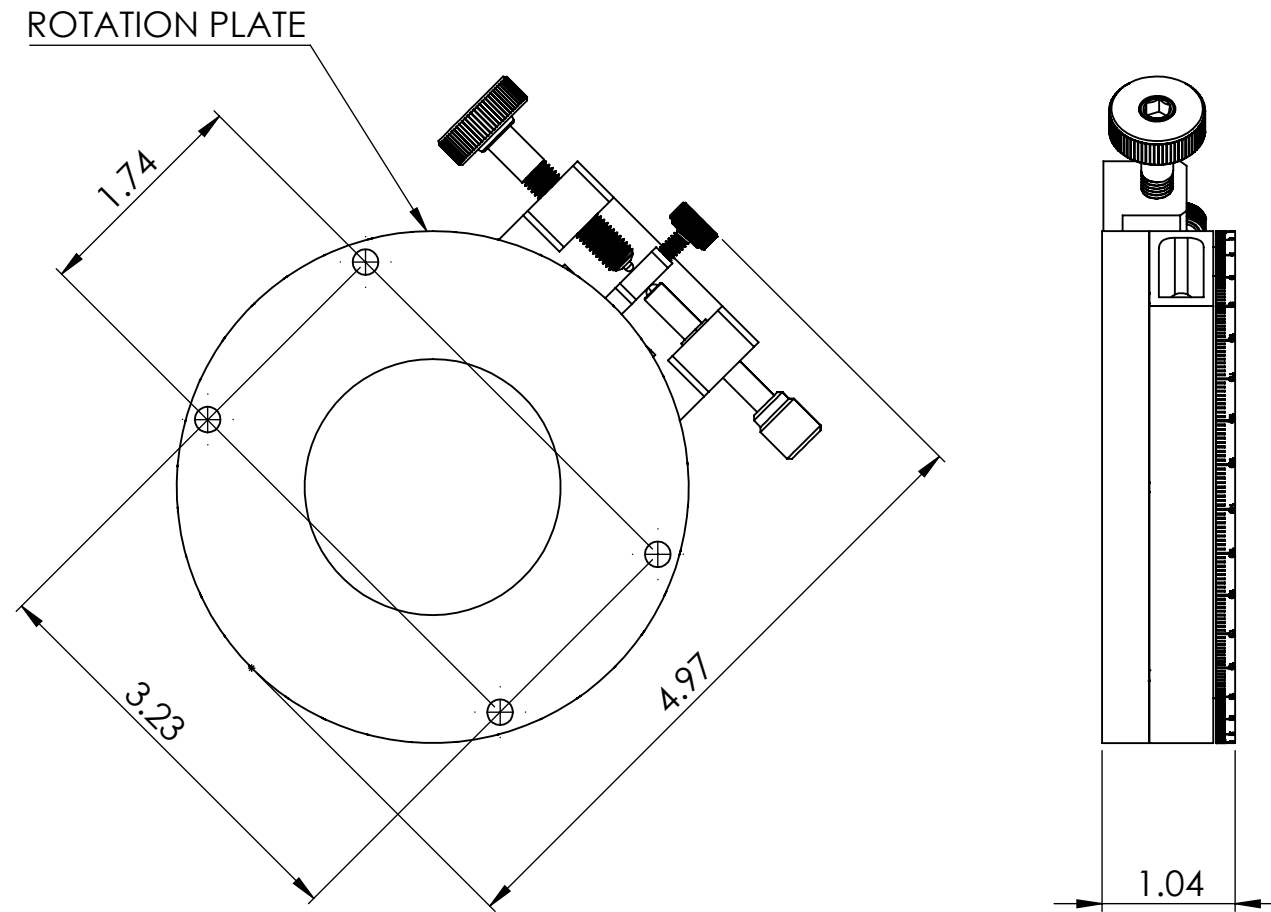


NOTES:

1. THE UNIT EQUIPPED WITH SLEEVE BEARING FOR SMOOTH ROTATION
2. THE UNIT HAS LOCKING CAPABILITY TO ENABLE LOCKING AT ANY GIVEN POSITION



PROPRIETARY NOTICE

THIS DRAWING AND THE ITEMS DEPICTED HEREIN ARE THE PROPERTY OF PLX INC. THEY ARE FURNISHED FOR EVALUATION PURPOSES ONLY AND SHALL NOT BE DISCLOSED OR DUPLICATED OR USED FOR ANY COMMERCIAL PURPOSES WITHOUT THE EXPRESS WRITTEN CONSENT OF PLX INC.

<p>UNLESS OTHERWISE SPECIFIED DIMENSIONS ARE IN INCHES TOLERANCES ARE:</p> <p>FRACTIONS DECIMALS ANGLES $\pm 1/16''$ $\pm .XX$ 0.030'' $\pm 1'$ $\pm .XXX$ 0.010''</p>	<p>ROTARY MOVEMENT DEVICE B</p> <p>RMDB</p>