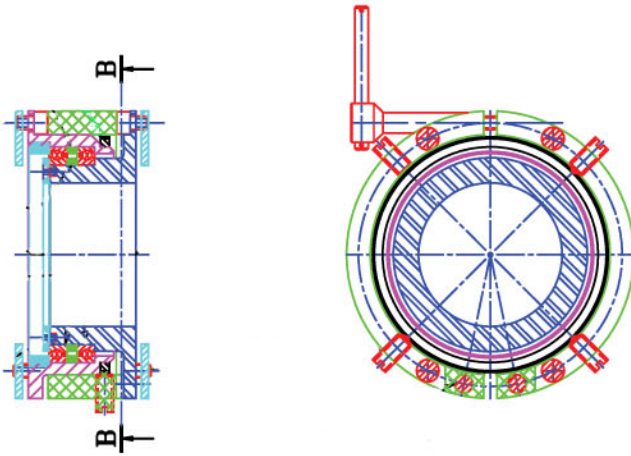
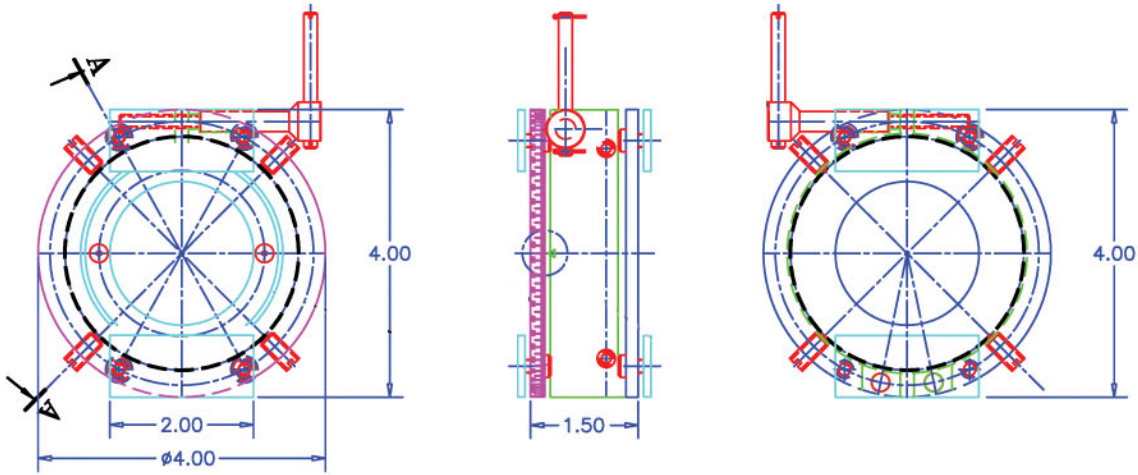


PLX

REVISIONS			
REV	DESCRIPTION	DATE	BY
1	ISSUED	1/15/98	ISH
2	REVISED PER RMD-A	5/2/98	ISH
3	REVISED PER RMD-A	5/2/98	ISH



PROPRIETARY NOTICE

THIS DRAWING AND THE ITEMS DEPICTED HEREIN ARE THE PROPERTY OF PLX INC. THEY ARE FURNISHED FOR EVALUATION PURPOSES ONLY AND SHALL NOT BE DISCLOSED OR DUPLICATED OR USED FOR ANY COMMERCIAL PURPOSES WITHOUT THE EXPRESS WRITTEN CONSENT OF PLX INC.

POS	QTY	BOOK	REV	DATE	DESCRIPTION	REVISION	
PARTS LIST							
UNLESS OTHERWISE SPECIFIED DIMENSIONS ARE IN INCHES TOLERANCES ARE:			CONTRACT NO.				
FRACTIONS DECIMALS ANGLES			APPROVAL		DATE	PLX 40 WEST JEFFRYN BLVD. DEER PARK, NY 11729 STANDARD TYPE A ROTARY MOVEMENT DEVICE	
±1/16" ±.002" ±.01°			ISH		1/15/98		
					5/2/98		
MATERIAL			FINISH		SIZE	STD	
RMD-A					C	DWG.NO.	
APPLICATION			DO NOT SCALE DRAWING			RMDA2	
					SCALE 1:1	QTY/ASSY: 1	REV. D
						SHEET 10F1	